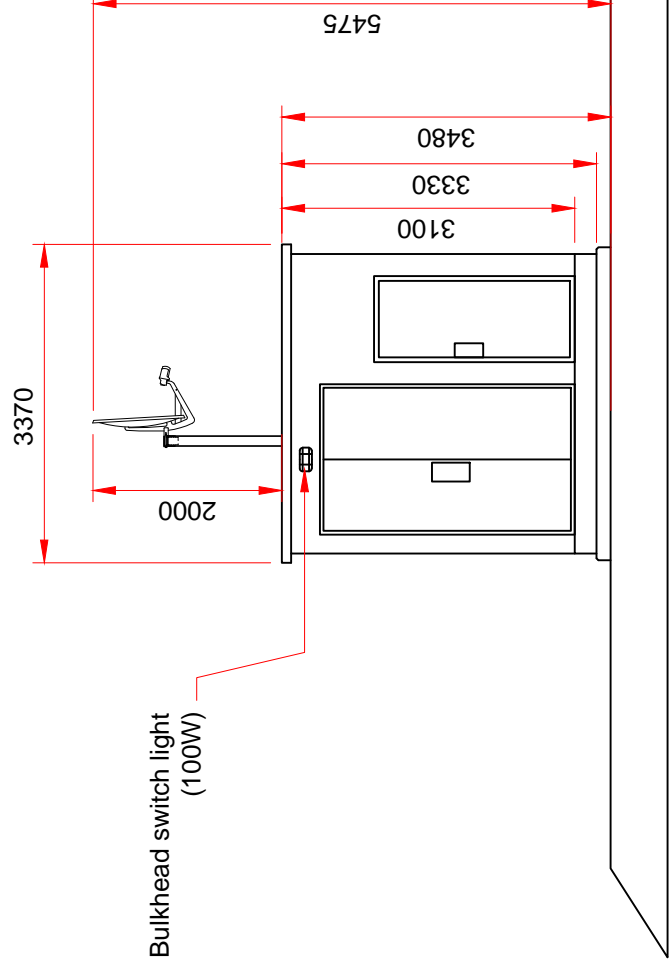
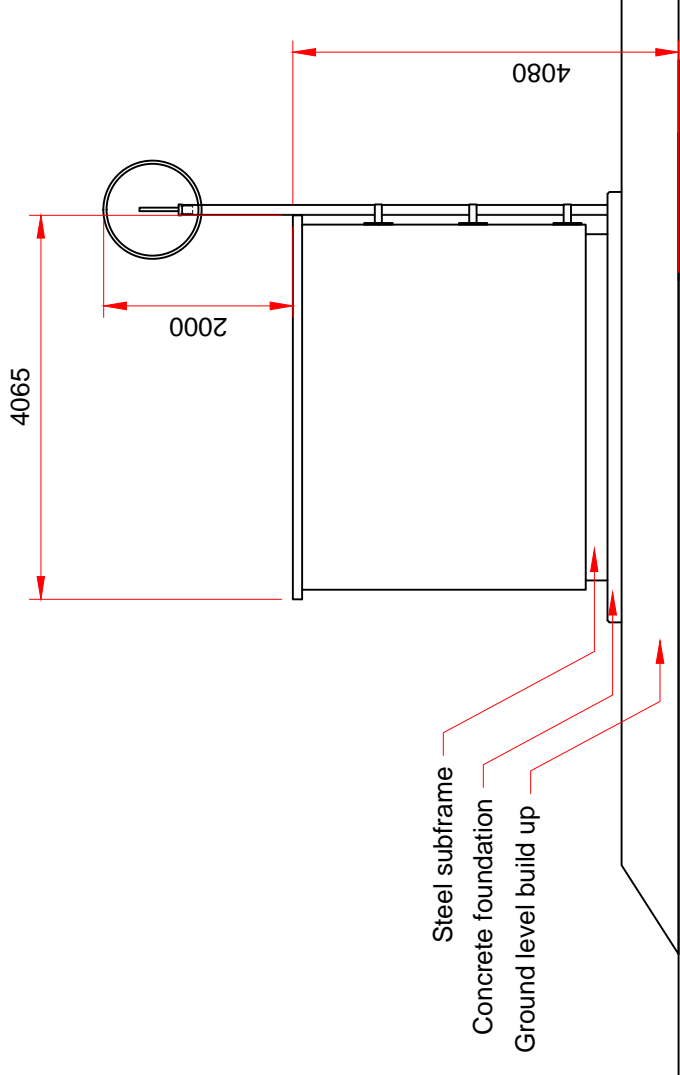


1. All dimensions are indicative and in mm unless otherwise stated.

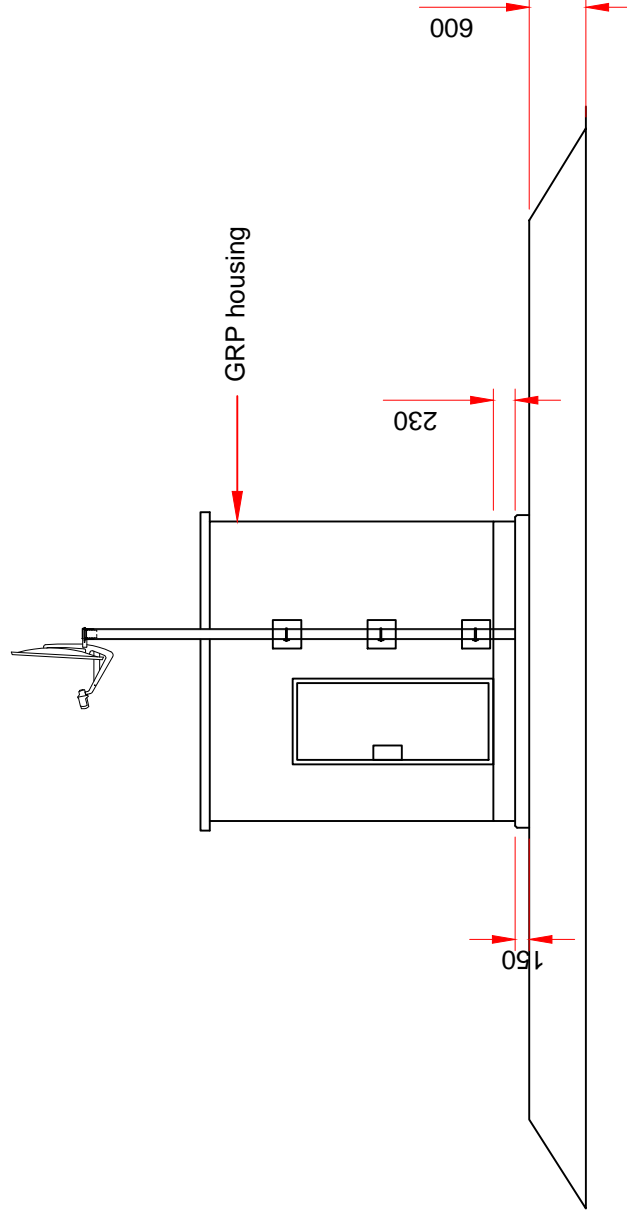
Front Elevation



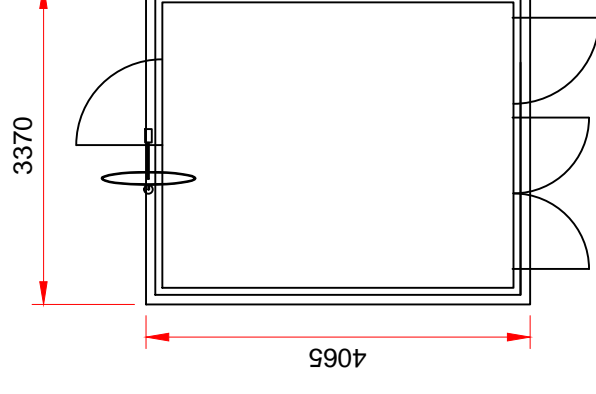
Side Elevation



Rear Elevation



Plan View



Revisions:

STANDARD DETAIL

Rev	Date	Comments	AL	MM	Dwn	Chkd
C	31/07/14	Satellite pole added	VL	DG		
B	28/08/13	Revised with new dimensions	AL	MM		
A	21/08/13	Added new building dimensions	AL	MM		

Project: Groundmount System

Title: DNO & Customer Switchgear Room Plan & Elevations (SSE)

Dwn: AL Chkd: MM Scale: 1:80 @A3 Date: 20/08/13
 Drg No.: GM-812 Rev: C

50 Great Sutton Street
 London EC1V 0DF

T +44 (0)20 7549 1000
 F +44 (0)20 7549 1001

www.solarcentury.com
 info@solarcentury.com



Do not scale from this drawing. Do not use any information without checking dimensions on site. Check the drawing is the latest version. Do not reproduce all or part of this without prior consent. Every effort will be made to ensure the drawing is correct. This drawing is for information only. All work and materials to be to current codes of practice and British Standards unless stated otherwise.